



remote controls



Motx-r & Motx-s

Instructions and warnings for installation and use

Istruzioni ed avvertenze per l'installazione e l'uso

Instructions et avertissements pour l'installation et l'utilisation

Anweisungen und Hinweise für die Installation und die Bedienung

Instrucciones y advertencias para la instalación y el uso

Instrukcje i ostrzeżenia do instalowania i użytkowania

CE 0682

www.niceforyou.com



Nice SpA
Oderzo TV Italia
Tel. +39.0422.85.38.38
Fax +39.0422.85.35.85
info@niceforyou.com

Nice Padova
Sarmeola di Rubano PD Italia
Tel. +39.049.89.78.93.2
Fax +39.049.89.73.85.2
info.pa@niceforyou.com

Nice Roma
Roma Italia
Tel. +39.06.72.67.17.61
Fax +39.06.72.67.55.20
info.roma@niceforyou.com

Nice Rhône-Alpes
Decines Charpieu France
Tel. +33.(0)4.78.26.56.53
Fax +33.(0)4.78.26.57.53
info.lyon@nicefrance.fr

Nice France
Buchelay
Tel. +33.(0)1.30.33.95.95
Fax +33.(0)1.30.33.95.96
info@nicefrance.fr

Nice France Sud
Aubagne France
Tel. +33.(0)4.42.62.42.52
Fax +33.(0)4.42.62.42.50
info.marseille@nicefrance.fr

Nice Belgium
Leuven (Heverlee)
Tel. +32.(0)16.38.69.00
Fax +32.(0)16.38.69.01
info@nicebelgium.be

Nice España Madrid
Tel. +34.9.16.16.33.00
Fax +34.9.16.16.30.10

Nice España Barcelona
Tel. +34.9.35.88.34.32
Fax +34.9.35.88.42.49

Nice China
Shanghai
Tel. +86.21.525.706.34
Fax +86.21.621.929.88
info@niceforyou.com.cn

Nice Polska
Pruszków
Tel. +48.22.728.33.22
Fax +48.22.728.25.10
info@nice.com.pl

IST162 4851 REV00

COMPANY
WITH QUALITY SYSTEM
CERTIFIED BY DNV
=ISO 9001/2000 =

Nice Gate is the doors and gate automation division of Nice

Nice Screen is the rolling shutters and awnings automation division of Nice

GB Warnings:

- This manual refers to MOTX-R and MOTX-S and cannot be used for other products.
- Note that automatic gate and door systems must be installed exclusively by qualified technical personnel in full compliance with statutory legislation.
 - Before starting the installation procedure check the suitability of the product for the intended application; use special care to check that the values given in the "Technical Specifications" chapter are compatible with the application.
 - This product has been designed to control door openers, gate openers and similar mechanisms. Any other use of the product will be considered improper.

1) Product description

MOTX-R and MOTX-S are dual channel transmitters that are activated only after having entered a suitable combination.

The units are designed for installation in indoor or outdoor locations.

The units use a transmission frequency of 433.92 MHz with Rolling Code technology that ensures the utmost security because the transmitted code is changed at each transmission session.

- MOTX-R uses Nice FLOR type encryption.
- MOTX-S uses Nice SMILO type encryption.

The estimated transmission range is 200 m in open space and 35 m indoors

MOTX-R and MOTX-S are battery powered and hence, like all other transmitters, they do not require external electrical connections.

The units are designed to ensure battery life equivalent to an estimated 2 years of operation considering 10 transmissions/day

In order to provide this level of autonomy, MOTX-R and MOTX-S feature a sensor that activates keypad illumination only in low ambient light conditions, plus an auto shut-down system that trips after 10 consecutive seconds in which the system is not used. Units MOTX-R and MOTX-S inform the user of their operating status by emitting audible tones that can be interpreted as shown in the following table in relation to their number and duration:

Audible signal	Status
1 short beep	Keypad tone
1 long beep	Auto power-off
3 long beeps	Modification of combination confirmed
5 short beeps	Error during combination input or combination edit operation
10 rapid beeps	Battery low warning signal. New batteries required

2) Installation

Before physically installing the MOTX-R or MOTX-S selectors in their mounting position it is good practice to perform a practical test to assess their functionality and effective range.

Consider that range may be up to 25 or 30% less when battery power is low.

2.1) Positioning

Various considerations should be made before choosing the site in which to install MOTX-R or MOTX-S: apart from the distance from the receiver, the units should not be positioned in the vicinity of or – worse still – in contact with metal structures, which could otherwise exert a signal shielding effect. Thanks to the enclosure protection rating of IP 54, the digital selectors can be installed outdoors if required.

2.2) Fixing

After having ascertained the functionality of the system, mount unit MOTX-R or MOTX-S at a convenient height as shown in Fig 1.

3) Method of use

The use of the keypad is based on "combinations", i.e. numbers of from 1 to 9 digits that the user is required to key in by means of the keys. Once the combination has been entered the user then presses confirm key ◀ or ▶ to transmit the activation command to, respectively:

- receiver channel 1 if the user presses ◀
- receiver channel 2 if the user presses ▶.

The command will be transmitted only when a valid combination has been entered – if an incorrect combination has been entered the selector will emit an error warning signal when the confirm key is pressed. The combination entered must be exact; if, for example, the correct combination is 0422, the following attempts will be interpreted as errors: 422, 10422, 04222. Therefore, if the user inadvertently presses the wrong key when entering a combination, combination key ◀ or ▶ should be pressed immediately to generate the error tone, after which the correct combination can be entered starting from the beginning again.

While entering the combination no more than 6 seconds can be allowed to elapse between keystrokes, after which interval the combination must be re-entered starting from the beginning.

The units are factory programmed with a standard combination to activate channel one and a standard combination for channel two.

The factory set combinations are as follows:

1st combination to transmit the code associated with the ◀ key.
When the unit is used for the first time this combination is **11**.

2nd combination to transmit the code associated with the ▶ key.
When the unit is used for the first time this combination is **22**.

4) Changing a combination

Tab. A Changing the combination associated with channel 1 ◀ Example

This function allows you to change the combination associated with channel 1 ◀

1. Press the "0" key and hold it down while pressing and releasing ◀	0 ◀
2. Release the "0" key.	
3. Type in the current (original) combination and press ◀	11 ◀
4. Type in the new combination (up to 8 digits) and press ◀	070576 ◀
5. Type in the new combination again and press ◀	070576 ◀

Tab. B Changing the combination associated with channel 2 ▶ Example

This function allows you to change the combination associated with channel 2 ▶

1. Press the "0" key and hold it down while pressing and releasing ▶	0 ▶
2. Release the "0" key.	
3. Type in the current (original) combination and press ▶	22 ▶
4. Type in the new combination (up to 8 digits) and press ▶	2811976 ▶
5. Type in the new combination again and press ▶	2811976 ▶

NOTE 1: If the two combinations you have entered are identical, once you have entered the combination you can press either ◀ or ▶.

NOTE 2: If combinations are set without entering any number, the security system is effectively overridden and the command can be transmitted simply by pressing ◀ or ▶ without having to first enter a combination.

5) Normal use

Tab. C Normal use for activation of channel 1 Example

1. Type in the combination associated with channel 1	070576 ◀
2. Press ◀	

Tab. D Normal use for activation of channel 2 Example

1. Type in the combination associated with channel 2	2811976 ▶
2. Press ▶	

6) Maintenance

MOTX-R and MOTX-S do not require any special maintenance operations. Periodically check for signs of moisture or the formation of oxide, and clean the exterior to remove grime and dust.

6.1) Changing the batteries

To change the batteries first detach the keypad from its support as shown in Figs. 2A and 2B; now use a coin to turn the cap counter-clockwise as shown in Fig. 2C; replace the batteries ensuring that the new batteries are both fitted with the positive pole (+) towards the top as shown in Fig. 2D.

Close the cap taking care not to damage the seal, and then refit the keypad to its support.

7) Disposal

This product is composed of different types of materials, some of which can be recycled (aluminium, plastic) and others that must be disposed of (electrical circuit boards and components). Seek information on recycling or disposal systems and adhere to the laws and regulations in force locally.

Warning: Spent batteries and certain electrical components contain hazardous pollutant substances. These items must be disposed of by consigning them to specifically designated collection points.

Declaration of Conformity

N°: 180/MOTX Rev 0

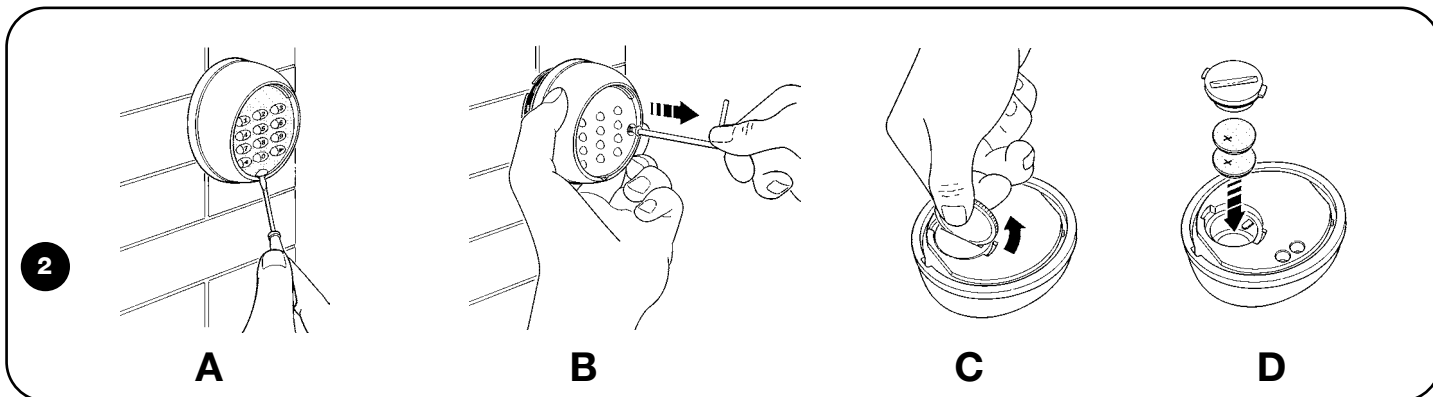
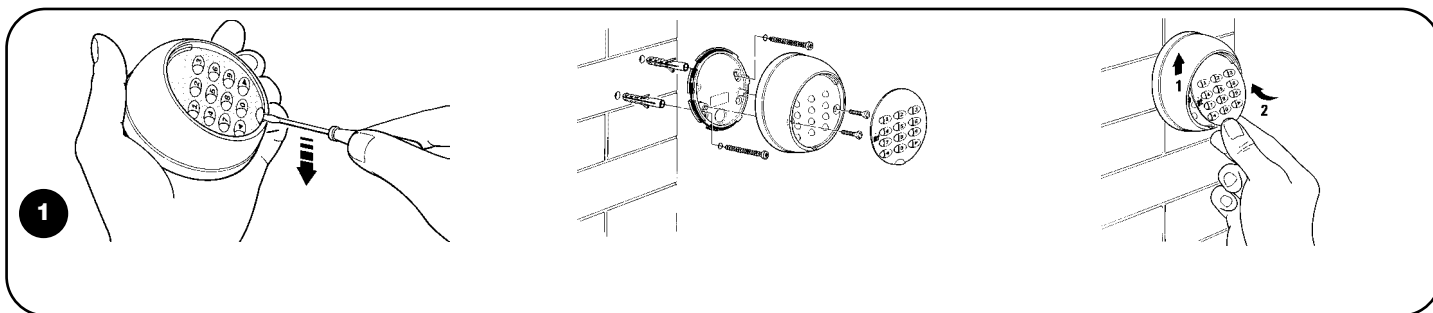
Nice S.p.a., Via Pezza Alta 13, 31046 Rustignè di ODERZO (TV) Italy

NICE S.p.a. declares that products MOTX-R and MOTX-S comply with the essential provisions of European Directive R&TTE 1999/5/EEC, for the uses for which they have been manufactured.

Manufactured in Class 1, Sub-class 20

Date
15 Dicembre 2003

Managing Director
Lauro Biorio



GB Technical specifications

Power supply	: 6Vdc with 2 lithium batteries type CR2430
Battery life	: 2 years (estimated) with 10 transmissions/day
Frequency	: 433.92 MHz +/- 100 KH
Irradiated power	: Approximately 1 mW e.r.p. (estimated)
Radio code	MOTX-R : FLOR 52 bit rolling code
	MOTX-S : SMILO 52 bit rolling code
Operating temperature	: - 20°C + 55°C
Number of digits per combination	: from 0 to 8
Estimated range	: 200 m; 35 m indoors
Protection rating	: IP 54
Dimensions	: 85 x 75 x 35 mm
Weight	: 150g

Note: all technical specifications refer to a temperature of 20°C

Nice S.p.a reserves the right to modify its products at any time without notice

I Caratteristiche tecniche

Alimentazione	: 6Vdc con 2 batterie al litio tipo CR2430
Durata batteria	: Stimata 2 anni con 10 trasmissioni al giorno
Frequenza	: 433.92 MHz +/- 100 KH
Potenza irradiata	: Stimata circa 1 mW e.r.p.
Codifica radio	MOTX-R : Rolling code 52 bit FLOR
	MOTX-S : Rolling code 64 bit SMILO
Temperatura di funzionamento	: - 20°C + 55°C
Numero cifre combinazione	: da 0 a 8
Portata stimata	: 200 m ; 35 m se all'interno di edifici
Grado di Protezione	: IP 54
Dimensioni	: 85 x 75 x 35 mm
Peso	: 150g

Nota: tutte le caratteristiche tecniche sono riferite alla temperatura di 20 °C

Nice S.p.a si riserva il diritto di apportare modifiche ai prodotti in qualsiasi momento riterrà necessario

F Caractéristiques techniques

Alimentation	: 6Vdc with 2 lithium batteries type CR2430
Durée des piles	: 2 years (estimated) with 10 transmissions/day
Fréquence	: 433.92 MHz +/- 100 KH
Puissance rayonnée	: Approximately 1 mW e.r.p. (estimated)
Codage radio	MOTX-R : rolling code 52 bits FLOR
	MOTX-S : SMILO rolling code 64 bits SMILO
Température de fonctionnement	: - 20°C + 55°C
Nombre de chiffres de la combinaison	: de 0 à 8
Portée estimée	: 200 m ; 35 m à l'intérieur des bâtiments
Degré de protection	: IP 54
Dimensions	: 85 x 75 x 35 mm
Poids	: 150g

N.B.: toutes les caractéristiques techniques se réfèrent à la température de 20°C.

Nice S.p.a se réserve le droit d'apporter des modifications aux produits à tout moment si elle le jugera nécessaire

D Technische Merkmale

Versorgung	: 6Vdc mit 2 Lithiumbatterien CR2430
Dauer der Batterie	: ca. 2 Jahre bei 10 Übertragungen/Tag
Frequenz	: 433.92 MHz +/- 100 KH
Ausgestrahlte Leistung	: ca. 1 mW e.r.p
Funkcodierung	MOTX-R : Rolling Code 52 bit FLOR
	MOTX-S : Rolling Code 64 bit SMILO
Betriebstemperatur	: - 20°C + 55°C
Anzahl der Ziffern der Kombination	: von 0 bis 8
Reichweite, ungefähr	: 200 m ; 35 m in Gebäuden
Schutzart	: IP 54
Dimensionen	: 85 x 75 x 35 mm
Gewicht	: 150g

Bitte bemerken: alle technischen Merkmale beziehen sich auf eine Temperatur von 20°C.

Nice S.p.a behält sich das Recht vor, jederzeit Änderungen am Produkt anzubringen

E Características técnicas

Alimentación	: 6Vdc with 2 lithium batteries type CR2430
Duración de la batería	: 2 years (estimated) with 10 transmissions/day
Frecuencia	: 433.92 MHz +/- 100 KH
Potencia irradiada	: Approximately 1 mW e.r.p. (estimated)
Codificación radio:	MOTX-R : FLOR 52 bit rolling code
	MOTX-S : SMILO 52 bit rolling code
Temperatura de funcionamiento	: - 20°C + 55°C
Número de cifras combinación	: from 0 to 8
Alcance estimado	: 200 m; 35 m indoors
Grado de protección	: IP 54
Dimensiones	: 85 x 75 x 35 mm
Peso	: 150g

Nota: todas las características técnicas se refieren a una temperatura de 20°C.

Nice S.p.a. se reserva el derecho de modificar los productos cuando lo considere necesario

PL Dane techniczne

Zasilanie	: 6Vps - 2 baterie litowe typu CR2430
Trwałość baterii	: Około 2 lat przy 10 użyciach klawiatury dziennie.
Częstotliwość	: 433.92 MHz +/- 100 KH
Moc wypromieniowana	: 1 mW
Kod radiowy	MOTX-R : Rolling code 52 bit FLOR
	MOTX-S : Rolling code 64 bit SMILO
Zakres temp. pracy	: - 20°C + 55°C
Ilość cyfr w kodzie	: od 0 do 8
Zasięg określony na	: do 200 m na przestrzeni otwartej, do 35 m wewnątrz budynków
Stopień zabezpieczenia	: IP 54
Wymiary	: 85 x 75 x 35 mm
Waga	: 150g

Uwaga: wszystkie cechy techniczne odnoszą się do temperatury pracy równej 20°C

Nice S.p.a. rezerwuje sobie prawo do wprowadzania zmian w produktach w każdej chwili kiedy będzie uważała to za niezbędne