

# OVERHEAD DOOR CLOSERS

## CISA *Professional*



An **IR** Innersoll Rand Company

### MULTISTRENGTH version



#### MAIN FEATURES

##### ACCURATE DESIGN

- The accurate design and the many finishes available, make the CISA Professional door closer series, easily match all kinds of environment.

##### VERSATILITY

- CISA door closers series Professional *Multistrength* are manufactured in two sizes, and can be set to operate with 5 different closing strengths.
- With just one door closer, the most adequate closing strength (EN 2-3-4 or EN 4-5-6) can be set by simply adjusting the position of the arm.

##### EASY TO INSTALL

- One template is sufficient to install the door closer and set the appropriate closing strength. The fixing holes are similar to those for the series 605 which means that the replacement of an old door closer is simple and fast.

##### RELIABILITY

- The quality of the materials used and the high technology applied for their manufacture, make CISA door closers series Professional, reliable and long-lasting.
- Durability: over 500,000 opening cycles, in compliance with the UNI EN 1154 standard.

##### CONFORMITY AND **CE** MARKING

- The materials and the technical solutions adopted, ensure the strictest compliance with the standards in strength. This has also resulted in the obtainment of various marks and certificates, such as:
  - CE mark in compliance with the 89/106/CEE DIRECTIVE issued by ICIM for use on fire doors (71510.XX).
  - Voluntary product certificate issued by ICIM as provided for in the same UNI EN 1154 standard (71511.XX).

##### Technical features

- Aluminium alloy solid body.
- Steel arm with or without adjustable hold open catch mechanism.
- Special, oil-bath steel spring.
- Adjusting valve, complete with thermostatic device.
- Overload valve.

##### Adjustments

- EN 2-3-4 closing strength (Dim. 03) or 4-5-6 (Dim. 05) set by adjusting the position of the arm.
- Closing speed is adjusted from 180° to 15° by operating the special valve.
- The latch action is adjusted from 15° to 0° by operating the special valve.

- Adjustment of the door hold open position from 180° to 15° (series 71511)

##### Door closer finishes and fastening plates (optional)

- Standard colour  
- ALLUMINIO (fin. 97)
- Varianti finitura  
- CHAMPAGNE (fin. 87)  
- DARK BROWN (fin. 88)  
- DARK BRONZE (fin. 99)  
- RED (fin. 41)  
- YELLOW (fin. 42)  
- GREEN (fin. 43)  
- BLACK (fin. 44)  
- WHITE (fin. 45)

##### Hand

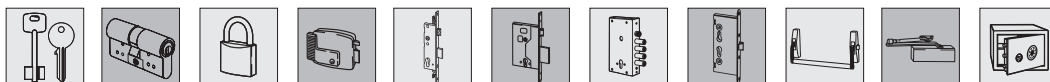
0 = non-handed

##### Supplied as standard

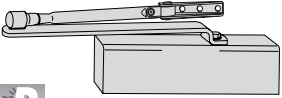



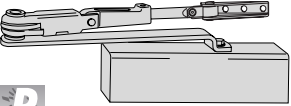

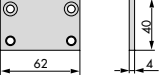
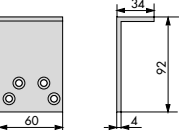
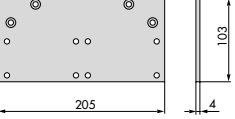
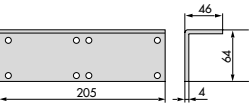
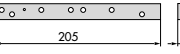
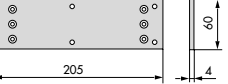
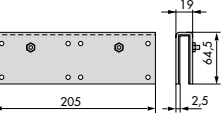
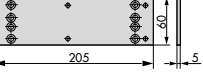
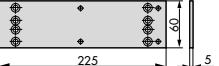
- Fixing screws.
- Installation template and instructions.

##### On request:

- Fixing plates for the arm.
- Door closer backplates.
- Nylon spacers.



CP09  
05-05

| Type   | Description  | Closing strength EN | Door width mm | Door weight mm | Unit weight Kg | Pieces | ITEM |       |      |      |
|--|--|---------------------|---------------|----------------|----------------|--------|------|-------|------|------|
|  |  |                     |               |                |                |        | Type | Dim.  | Hand | Fin. |
| <br>   | <ul style="list-style-type: none"> <li>Without hold-open catch mechanism</li> <li>CE mark in compliance with the 89/106/CEE Directive issued by ICIM</li> <li>Voluntary product certificate issued by a third party as provided for in the UNI EN 1154 standard</li> </ul> | 2÷4                 | 850÷1100      | 40÷80          | 2,100          | 1      | 1    | 71510 | 03   | 0 97 |
|  |  | 4÷6                 | 1100÷1400     | 80÷120         | 2,300          | 1      | 1    | 71510 | 05   | 0 97 |
| <br>   | <ul style="list-style-type: none"> <li>With hold-open catch mechanism</li> <li>Voluntary product certificate issued by a third party as provided for in the UNI EN 1154 standard</li> </ul>  | 2÷4                 | 850÷1100      | 40÷80          | 2,300          | 1      | 1    | 71511 | 03   | 0 97 |
|  |  | 4÷6                 | 1100÷1400     | 80÷120         | 2,500          | 1      | 1    | 71511 | 05   | 0 97 |
|   | • Steel arm backplate  |                     |               |                | 0,080          | 1      | 1    | 07140 | 00   | 0 97 |
|   | • Arm bracket  |                     |               |                | 0,230          | 1      | 1    | 07141 | 00   | 0 97 |
|   | • Piastra in acciaio per fissaggio corpo chiudiporta   |                     |               |                | 0,600          | 1      | 1    | 07142 | 00   | 0 97 |
|   | • Door closer steel backplate  |                     |               |                | 0,600          | 1      | 1    | 07143 | 01   | 0 97 |
|   | • PDoor closer steel bracket, 1 piece 3 mm, 2 pieces 1 mm  |                     |               |                | 0,030          | 1      | 1    | 07144 | 00   | 0 97 |
|   | • Door closer steel backplate  |                     |               |                | 0,400          | 1      | 1    | 07145 | 00   | 0 97 |
|   | • Door closer steel backplate for glass doors  |                     |               |                | 0,600          | 1      | 1    | 07146 | 00   | 0    |
|   | • Door closer DIN backplate<br>• For door closers with closing strength 2-3-4  |                     |               |                | 0,400          | 1      | 1    | 07153 | 00   | 0    |
|   | • Door closer DIN backplate<br>• For door closers with closing strength 4-5-6  |                     |               |                | 0,400          | 1      | 1    | 07153 | 01   | 0    |

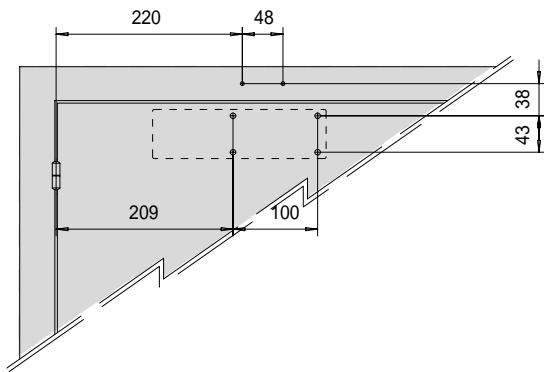
DOOR CLOSER SERIES 715 INSTALLATION INSTRUCTIONS

Closing strength changes and maximum door measurements

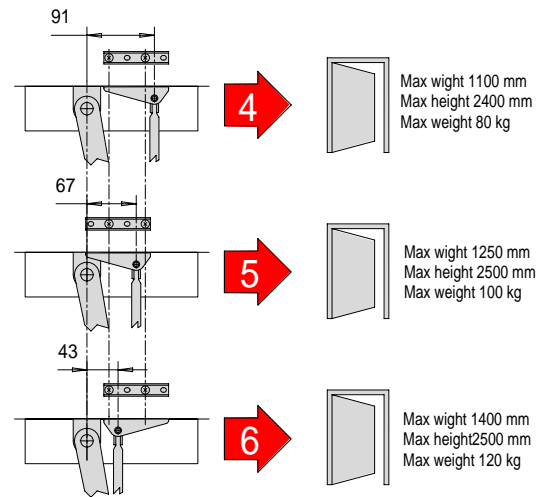
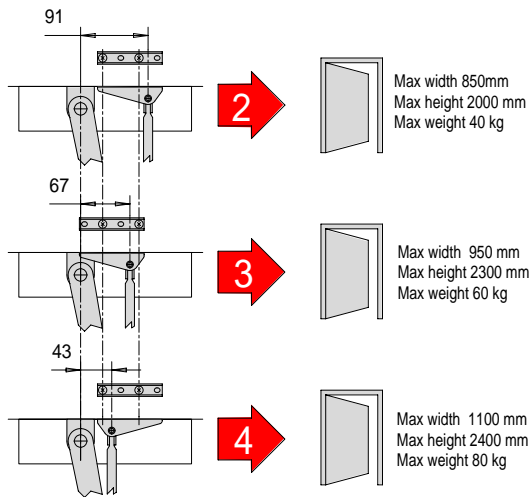
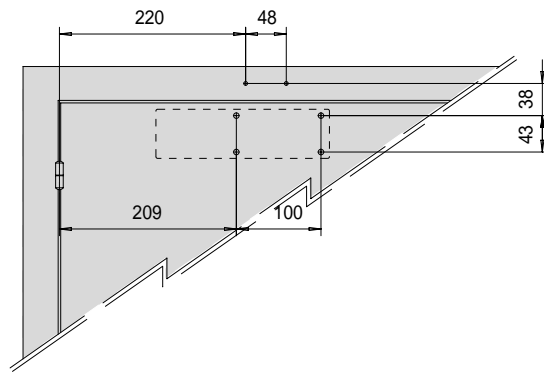
The body remains in a fixed position.

The door closer closing strength is set by changing the position of the door closer arm.

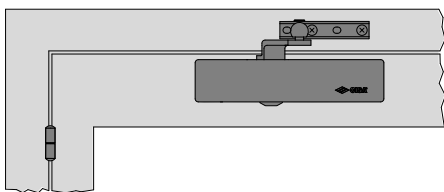
Door closer assembly diagram with closing strength EN 2-3-4



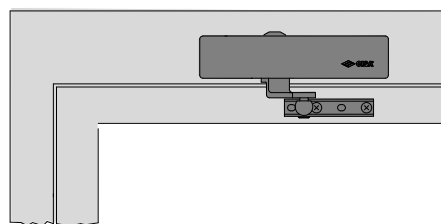
Door closer assembly diagram with closing strength EN 4-5-6



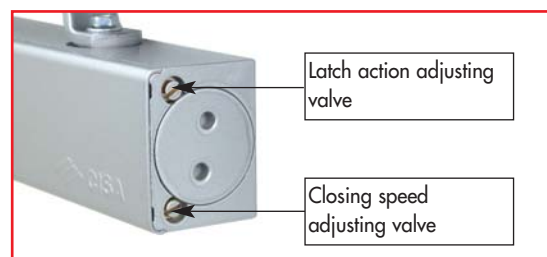
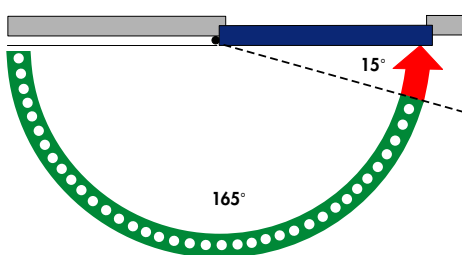
Assembly on the hinge pull side



Assembly on the top jamb push side



ADJUSTMENTS

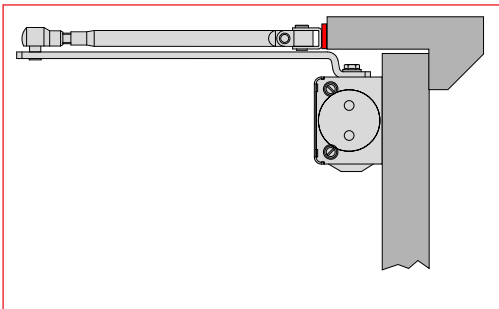


■ Latch action adjustment sector (with valve)

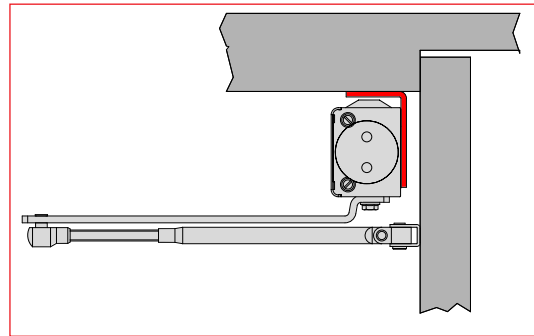
● Closing speed adjustment sector (with valve) and hold-open catch mechanism (71411 series)

EXAMPLES OF ACCESSORIES INSTALLATION

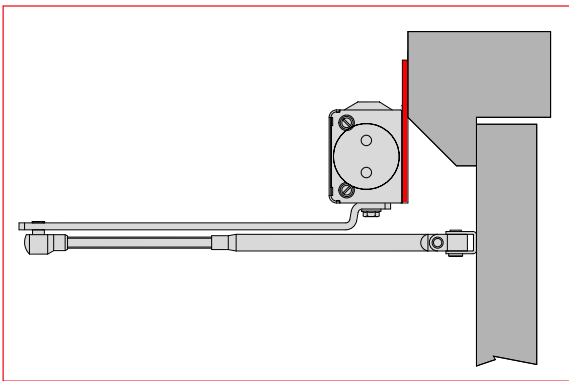
Steel arm backplate 07140



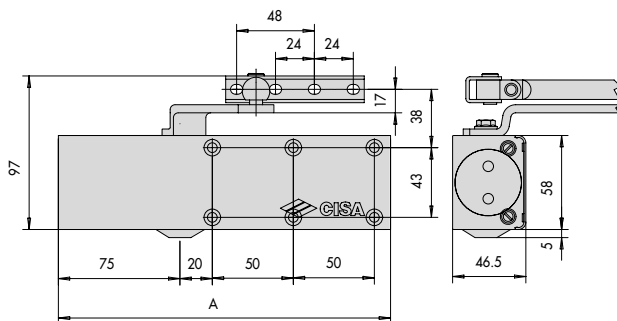
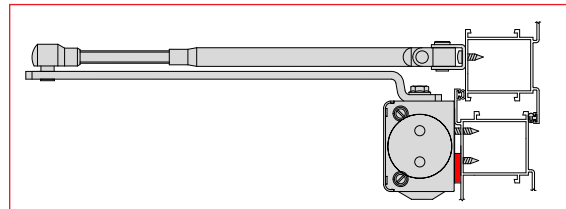
Door closer bracket 07143



Door closer backplate 07142



Set of nylon spacers 07144



|            | A   |
|------------|-----|
| 1.71510.03 | 205 |
| 1.71510.05 | 225 |
| 1.71511.03 | 205 |
| 1.71511.05 | 225 |